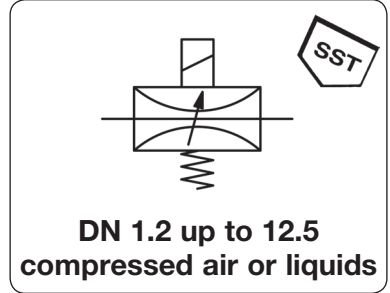


Description	The proportional flow valve can be controlled either by 24 V DC or optionally by a plug amplifier with switchable signals.		
Media	50 µm filtered compressed air, vacuum or non-corrosive gases		
Plug amplifier	Conversion of the analogue signal into a pulse-wide modulated current.		
	Supply voltage: 24 V DC, max. 1.1 A	Adjustment: zero point and range	
	Switchable signal: 0...10 V, 0...20 mA, 4...20 mA	Time ramp: 0.1 to 3 s selectable	
	Close function: < 2% of max. signal	Hum frequency: 40 to 700 Hz selectable	
Electrical connector	plug, 3-pin, with coupling socket (Pg 9P or PG 11P)		
Operating pressure	see chart, max. 12 bar	Protection class	IP 65 with coupling socket
Mounting position	any	Temperature range	-10 °C to 90 °C / 14 °F to 194 °F
Viscosity max.	-	PV202, G¼ / G¾	PV203, G¾ / G½
Power consumption	100...450 mA, 8.6 W	21 mm²/s	40 mm²/s
Hysteresis / Sensitivity	< 5% FS / < 1% FS	100...500 mA, 11 W	100...500 mA, 11 W
Repeatability	< 1% FS	< 5% FS / < 2% FS	< 7.5% FS / < 2% FS
Body / Inner valve	brass/SST, PTFE, FKM	< 3% FS	< 3% FS
		brass/SST, PTFE, FKM	brass/SST, PTFE, NBR/Buna-N



Dimensions			Media	Nominal size	K _v value	Flow rate	Supply max.	Connection thread	Order number
A	B	C	A: air W: water	size DN	(m³/h)	l/min*1	bar	G	

Proportional flow valve									
24 V DC, direct control, with coupling socket, without amplifier, made of brass									
17	78	8	A	1.2	0.05	0... 70	8	G¼	PV202-1-12
				1.6	0.07	0...110	6		PV202-1-16
				2.4	0.10	0... 70	4		PV202-1-24
				3.2	0.16	0...105	2.5		PV202-1-32
40	95	20	A/W*3	1.2	0.04	0... 60	16	G¼	PV202-2-12
				2.4	0.10	0...110	8		PV202-2-24
				3.2	0.26	0...170	4		PV202-2-32
				4.0	0.42	0...280	2.5		PV202-2-40
				5.6	0.70	0...310	1.4		PV202-2-56
				7.1	0.88	0...390	1.0		PV202-2-71
48	97	14	A/W*3	3.2	0.28	0...190	4	G¾	PV202-3-32
				4.0	0.45	0...300	2.5		PV202-3-40
				5.6	0.72	0...330	1.4		PV202-3-56
				7.1	0.90	0...420	1.0		PV202-3-71
52	105	14	W	12.5	2.10	0... 35*2	10	G¾	PV203-3-125W
				12.5	2.20	0... 37*2	10	G½	PV203-4-125W

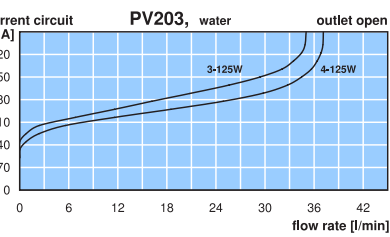
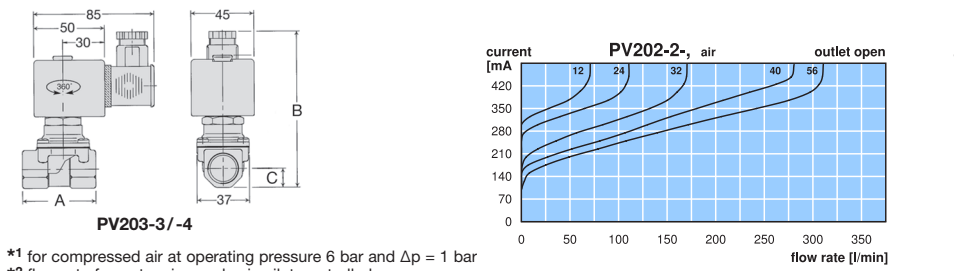
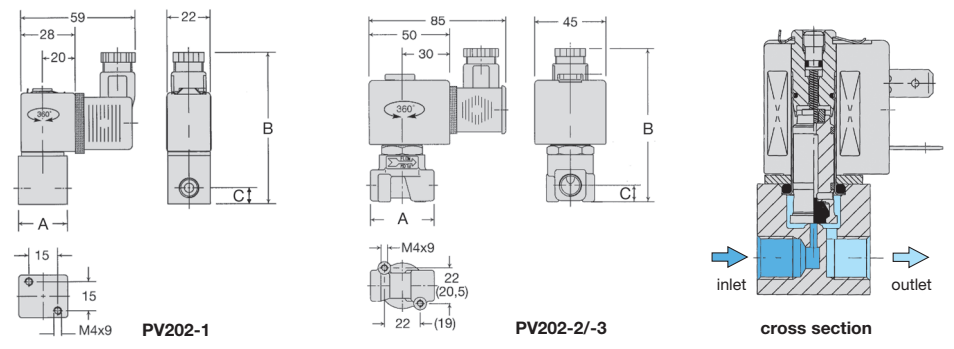


Special options, add the appropriate letter

for water or oil for PV202, G¼ and G¾ PV202-..W
 stainless steel body NPT connection thread, FKM elastomer for PV202 PV202-..S
 12 V DC supply voltage PV202-..12V

Accessories, enclosed

plug amplifier 24 V DC, switchable 0...10 V, 0...20 mA, 4...20 mA for PV202, G¼ **PVY-03**
 for all others **PVY-04**



*1 for compressed air at operating pressure 6 bar and Δp = 1 bar
 *2 flow rate for water since valve is pilot-controlled
 *3 for liquids add **W** to order number of type PV202-2/-3